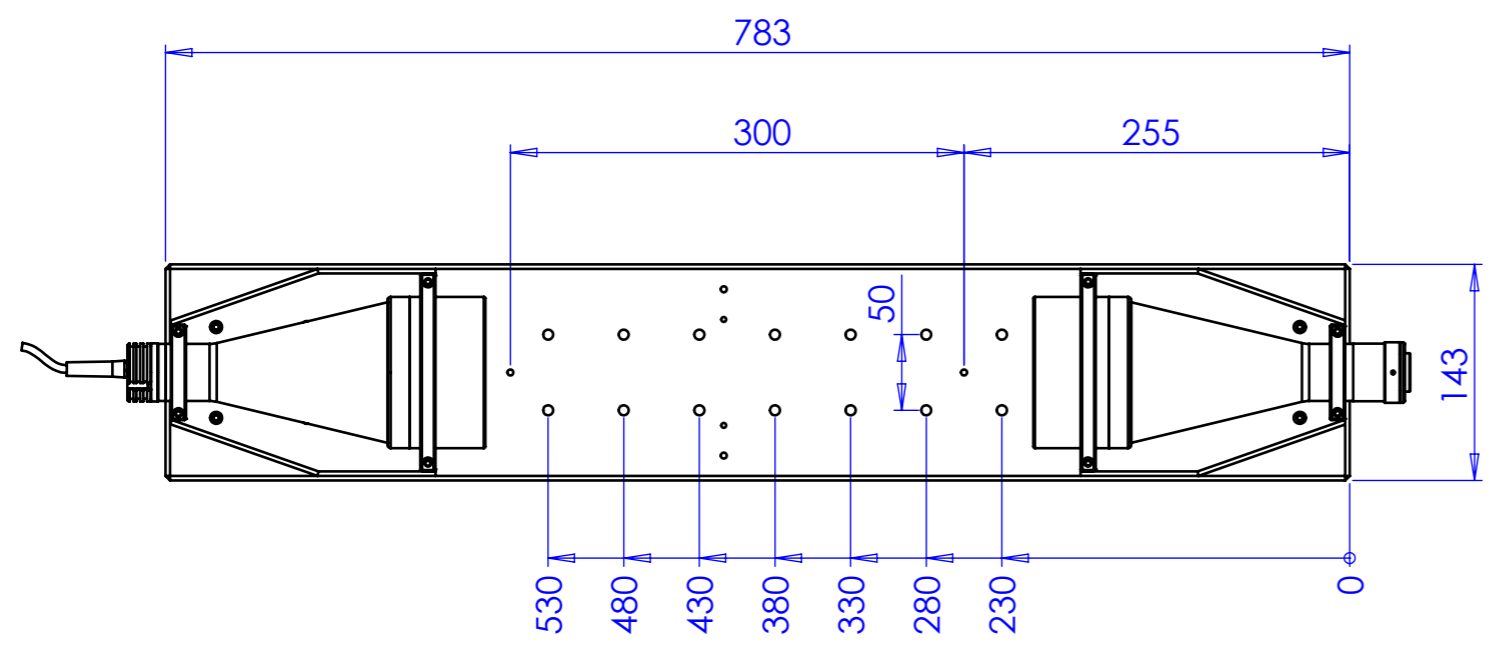
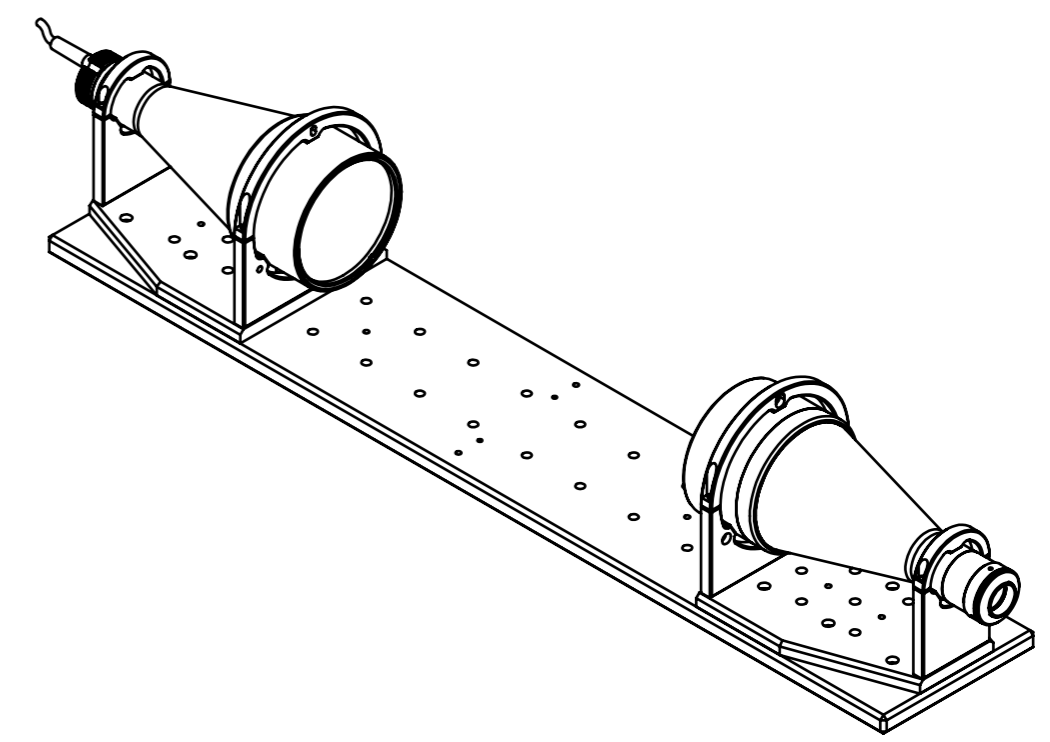
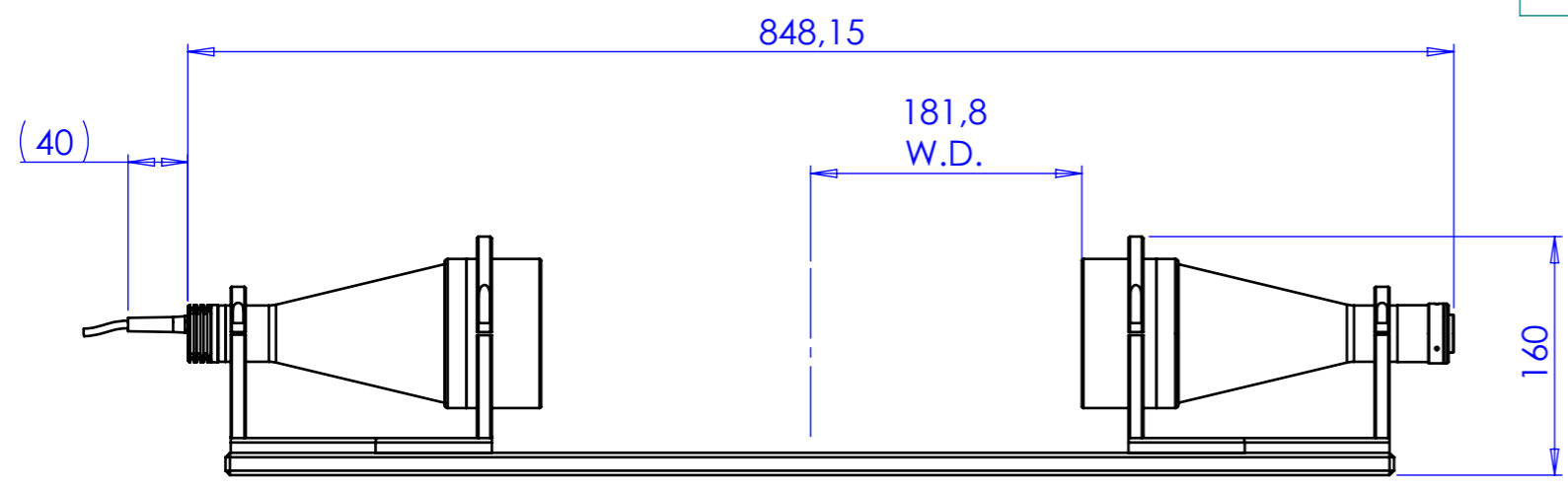


Rev No.	Description	Date	Name



W.D. = Working Distance

Material	N.A.			Mass	8007 g	Scale	1:5
Surface treatment	N.A.			Part No.	CO24393		
Geometrical tolerance (ISO 2768-2)			Class	K	Description		
Linear tolerance (ISO 2768-2)			Class	m	Undimensioned bevels	0.5x45°	TCEV23064-G
0.5 ±3	>3± 6	>6± 30	>30± 120	>120 ±400	>400± 1000	>1000 ±2000	
±0.1	±0.1	±0.2	±0.3	±0.5	±0.8	±1.2	±2
all dimensions are in mm			Date		Name		Drawing No.
 OPTO ENGINEERING S.r.l. - Mantova Italy - Tel. +39 0376 699111 - www.opto-engineering.com			Designed	19/08/2015	Rodella	DP 24393-A	Sheet
			Drawn	19/08/2015	Rodella		1/1
			Checked				
<i>Secret and confidential - All rights reserved - No copy, dissemination or circulation is allowed unless specifically authorized in writing by OPTO ENGINEERING S.r.l. - Any violation shall be legally prosecuted.</i>							